

KEDRY SKYLIFE

23.02.24_rev.00



KE
ENJOY THE OUTDOORS

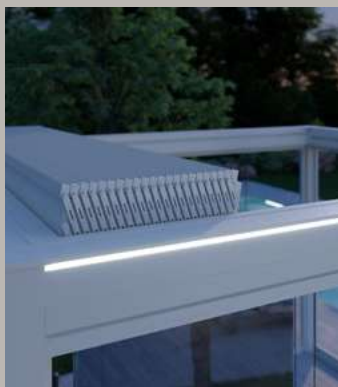




PLUS PRODUCT



RETRACTABLE
Folding and retractable blades system.
The opening and closing blades rotate in a single movement. Maximum dimensions for single module W 450 P 611 cm .



COMPACTED BLADES
DIMENSIONS:
28 blades - maximum overall dimensions 106 cm.



MODULAR SYSTEM
infinite number of modules can be installed side by side.



Illumination with LED strips external (rgb) and internal, blades.



CLOSURE
Possibility of side closures with vertical drop down screens, sliding glass doors and draped curtains.



A gutter system allows draining of water through the columns. the louver blades have been designed to allow water draining along a built-in gutter, which work even when opening them.

KEDRY SKYLIFE



↔ 180 ↻ 191

↔ 450 ↻ 611

for module

Self-supporting aluminium shade structure with a roof with adjustable blades consisting of a perimeter support beam and attached gutters that allow water to run off.

movement is provided by tubular motors

A structure that stands out for its unrestricted mobility in terms of width and depth with a "clean" look and no visible screws.

Certified wind resistance up to class 6 according to EN 13561.

OPTIONAL

LIGHT



VERTIKA

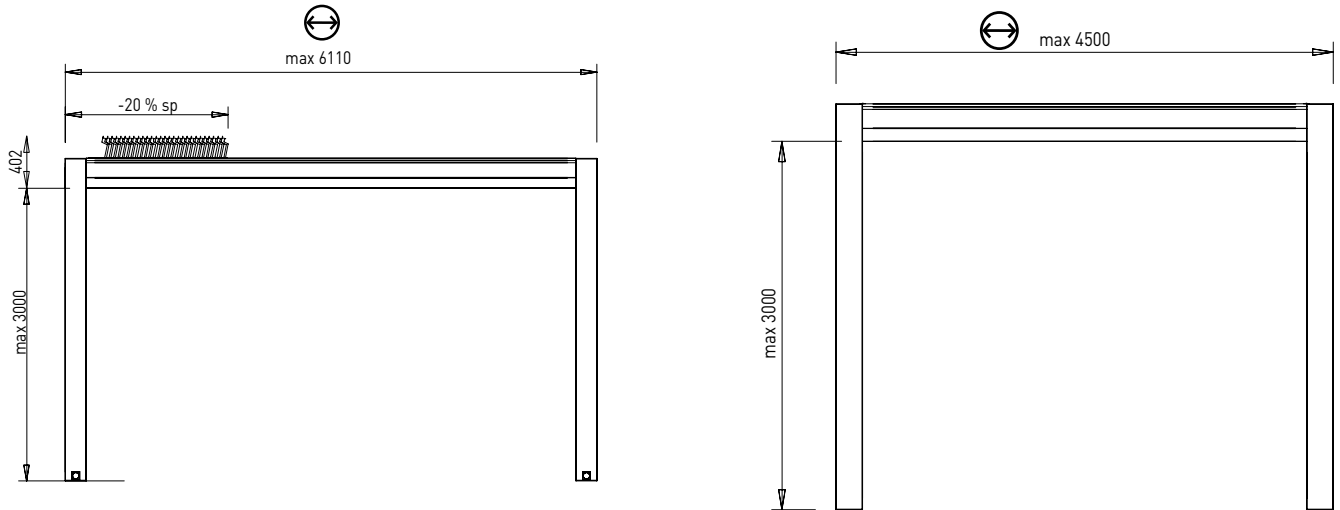


GLASS DOORS

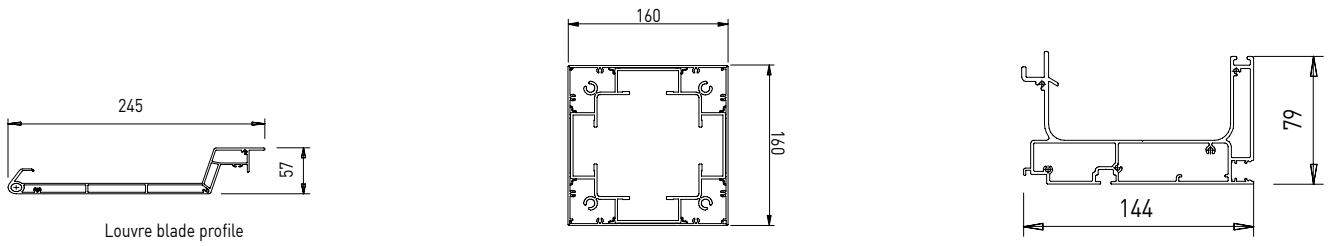


TECHNICAL INFORMATION

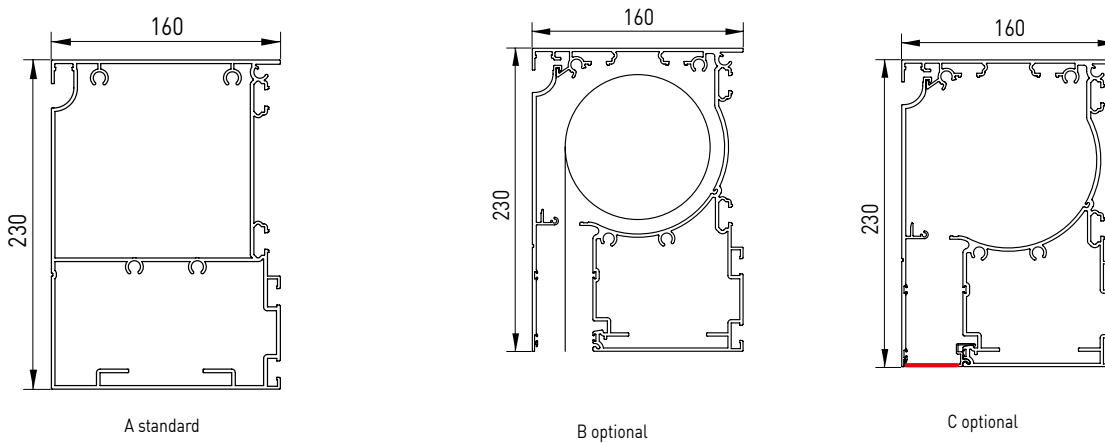
General technical plan



Profiles dimensions

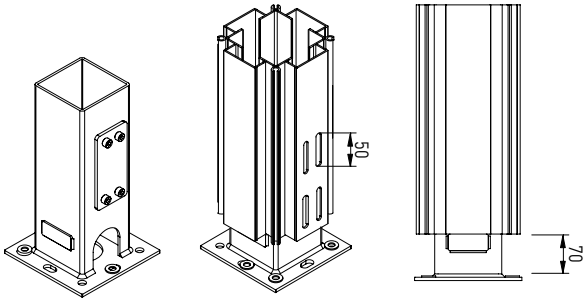


Girder section

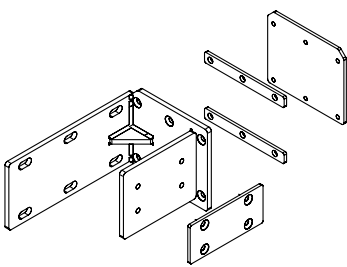


TECHNICAL INFORMATION

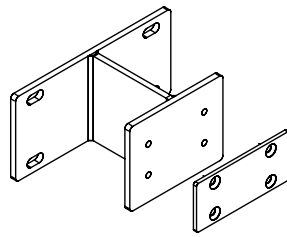
Ground connection



Wall installation



Dx/Sx



Central reinforcement
bracket for L → 275

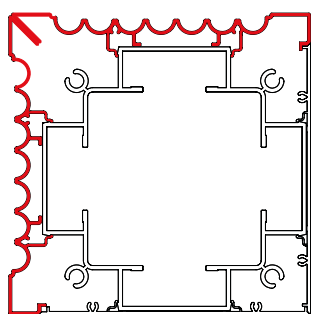
	N°Lame
211	8
231	9
251	10
271	11
291	12
311	13
331	14
351	15
371	16
391	17
411	18
431	19
451	20

	N°Lame
471	21
491	22
511	23
531	24
551	25
571	26
591	27
611	28

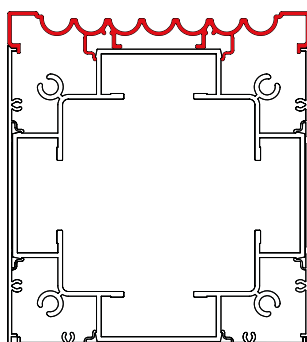
KEDRY SKYLIFE - KEDRY PRIME CLASSIC



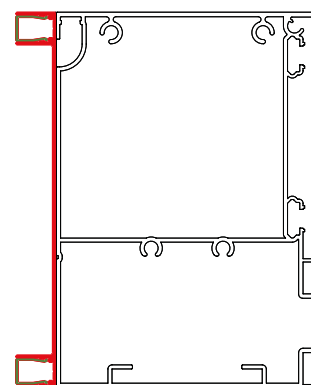
Kedry Skylife and Kedry Prime in the Classic version features elegant workmanship in the outer profiles and the outer sides of the columns. In this version there is no possibility of installing LEDs in the outer profiles.



Corner column



Central column



Perimeter beam



WIND RESISTANCE

The wind resistance of an exterior shade system is characterized by its ability to support defined loads by simulating wind with positive or negative pressure. In order to define a correlation between the wind resistance class according to the classes defined by the technical standard EN 13561 and the wind speed expressed in Km / h, a comparative table with the Beaufort scale is used. The Beaufort Scale classifies winds according to the speed at which they blow. Wind speed is measured in kilometers per hour (km / h) or in nodes using a measuring instrument, called anemometer, at a height of about 10 meters above the ground.

	TERMINE DESCRITTIVO	VELOCITA' VENTO km/h	VELOCITA' VENTO km/h	VELOCITA' VENTO Nodi	EFFETTI DEL VENTO SULLA TERRA	EN 13561
4	Vento moderato	5,5 - 7,9	20 - 28	11 - 16	Si sollevano polvere e pezzi di carta; si muovono i rami piccoli degli alberi.	Classe 1
5	Vento teso	8,0 - 10,7	29 - 38	17 - 21	Gli arbusti con foglie iniziano a ondeggiare; le acque interne s'increspano.	Classe 2
6	Vento fresco	10,8 - 13,8	39 - 49	22 - 27	Si muovono anche i rami grossi; gli ombrelli si usano con difficoltà.	Classe 3
7	Vento forte	13,9 - 17,1	50 - 61	28 - 33	Gli alberi iniziano a ondeggiare; si cammina con difficoltà contro vento.	Classe 4
8	Burrasca	17,2 - 20,7	62 - 74	34 - 40	Si staccano rami dagli alberi; generalmente è impossibile camminare contro vento.	Classe 5
9	Burrasca forte	20,8 - 24,4	75 - 88	41-47	Possono verificarsi leggeri danni strutturali agli edifici (caduta di tegole o di coperchi dei camini).	Classe 6

Please note: in wind above the maximum class rating, it is necessary to retract the fabric or move blades to upright. For the evaluation of wind resistance of the perimeter closures (Vertika, Vertika Prime, Line glass) refer to the performance declarations of the products themselves. The opening and closing of the screens can be controlled by installing sensors (sun, wind, rain). These aids do not replace the need for visual monitoring and taking manual action to make the awning safe when winds or loads exceed the product's limits. Therefore, the safety of the product is not guaranteed by the use of sensors.

1 L


cm ⊖	200	225	250	275	300	325	350	375	400	425	450
211	9	9	9	9	9	9	9	9	9	9	9
231	9	9	9	9	9	9	9	9	9	9	9
251	9	9	9	9	9	9	9	9	9	9	9
271	9	9	9	9	9	9	9	9	9	9	9
291	9	9	9	9	9	9	9	9	9	9	9
311	9	9	9	9	9	9	9	9	9	9	9
331	9	9	9	9	9	9	9	9	9	9	9
351	9	9	9	9	9	9	9	9	9	9	9
371	9	9	9	9	9	9	9	9	9	9	9
391	9	9	9	9	9	9	9	9	9	9	9
411	9	9	9	9	9	9	9	9	9	9	9
431	9	9	9	9	9	9	9	9	9	9	9
451	9	9	9	9	9	9	9	9	9	9	9
471	9	9	9	9	9	9	9	9	9	9	9
491	9	9	9	9	9	9	9	9	9	9	9
511	9	9	9	9	9	9	9	9	9	9	9
531	9	9	9	9	9	9	9	9	9	9	9
551	9	9	9	9	9	9	9	9	9	9	9
571	9	9	9	9	9	9	9	9	9	9	9
591	9	9	9	9	9	9	9	9	9	9	9
611	9	9	9	9	9	9	9	9	9	9	9

2 L


cm ⊖	400	450	500	550	600	650	700	750	800	850	900
211	9	9	9	9	9	9	9	9	9	9	9
231	9	9	9	9	9	9	9	9	9	9	9
251	9	9	9	9	9	9	9	9	9	9	9
271	9	9	9	9	9	9	9	9	9	9	9
291	9	9	9	9	9	9	9	9	9	9	9
311	9	9	9	9	9	9	9	9	9	9	9
331	9	9	9	9	9	9	9	9	9	9	9
351	9	9	9	9	9	9	9	9	9	9	9
371	9	9	9	9	9	9	9	9	9	9	9
391	9	9	9	9	9	9	9	9	9	9	9
411	9	9	9	9	9	9	9	9	9	9	9
431	9	9	9	9	9	9	9	9	9	9	9
451	9	9	9	9	9	9	9	9	9	9	9
471	9	9	9	9	9	9	9	9	9	9	9
491	9	9	9	9	9	9	9	9	9	9	9
511	9	9	9	9	9	9	9	9	9	9	9
531	9	9	9	9	9	9	9	9	9	9	9
551	9	9	9	9	9	9	9	9	9	9	9
571	9	9	9	9	9	9	9	9	9	9	9
591	9	9	9	9	9	9	9	9	9	9	9
611	9	9	9	9	9	9	9	9	9	9	9

WIND CERTIFICATION

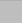
2 P

cm 	200	225	250	275	300	325	350	375	400	425	450
406	9	9	9	9	9	9	9	9	9	9	9
446	9	9	9	9	9	9	9	9	9	9	9
486	9	9	9	9	9	9	9	9	9	9	9
526	9	9	9	9	9	9	9	9	9	9	9
566	9	9	9	9	9	9	9	9	9	9	9
606	9	9	9	9	9	9	9	9	9	9	9
646	9	9	9	9	9	9	9	9	9	9	9
686	9	9	9	9	9	9	9	9	9	9	9
726	9	9	9	9	9	9	9	9	9	9	9
766	9	9	9	9	9	9	9	9	9	9	9
806	9	9	9	9	9	9	9	9	9	9	9
846	9	9	9	9	9	9	9	9	9	9	9
886	9	9	9	9	9	9	9	9	9	9	9
926	9	9	9	9	9	9	9	9	9	9	9
966	9	9	9	9	9	9	9	9	9	9	9
1006	9	9	9	9	9	9	9	9	9	9	9
1046	9	9	9	9	9	9	9	9	9	9	9
1086	9	9	9	9	9	9	9	9	9	9	9
1126	9	9	9	9	9	9	9	9	9	9	9
1166	9	9	9	9	9	9	9	9	9	9	9
1206	9	9	9	9	9	9	9	9	9	9	9


3 L

cm 	600	675	750	825	900	975	1050	1125	1200	1275	1350
211	9	9	9	9	9	9	9	9	9	9	9
231	9	9	9	9	9	9	9	9	9	9	9
251	9	9	9	9	9	9	9	9	9	9	9
271	9	9	9	9	9	9	9	9	9	9	9
291	9	9	9	9	9	9	9	9	9	9	9
311	9	9	9	9	9	9	9	9	9	9	9
331	9	9	9	9	9	9	9	9	9	9	9
351	9	9	9	9	9	9	9	9	9	9	9
371	9	9	9	9	9	9	9	9	9	9	9
391	9	9	9	9	9	9	9	9	9	9	9
411	9	9	9	9	9	9	9	9	9	9	9
431	9	9	9	9	9	9	9	9	9	9	9
451	9	9	9	9	9	9	9	9	9	9	9
471	9	9	9	9	9	9	9	9	9	9	9
491	9	9	9	9	9	9	9	9	9	9	9
511	9	9	9	9	9	9	9	9	9	9	9
531	9	9	9	9	9	9	9	9	9	9	9
551	9	9	9	9	9	9	9	9	9	9	9
571	9	9	9	9	9	9	9	9	9	9	9
591	9	9	9	9	9	9	9	9	9	9	9
611	9	9	9	9	9	9	9	9	9	9	9


3 P

cm 	200	225	250	275	300	325	350	375	400	425	450
601	9	9	9	9	9	9	9	9	9	9	9
661	9	9	9	9	9	9	9	9	9	9	9
721	9	9	9	9	9	9	9	9	9	9	9
781	9	9	9	9	9	9	9	9	9	9	9
841	9	9	9	9	9	9	9	9	9	9	9
901	9	9	9	9	9	9	9	9	9	9	9
961	9	9	9	9	9	9	9	9	9	9	9
1021	9	9	9	9	9	9	9	9	9	9	9
1081	9	9	9	9	9	9	9	9	9	9	9
1141	9	9	9	9	9	9	9	9	9	9	9
1201	9	9	9	9	9	9	9	9	9	9	9
1261	9	9	9	9	9	9	9	9	9	9	9
1321	9	9	9	9	9	9	9	9	9	9	9
1381	9	9	9	9	9	9	9	9	9	9	9
1441	9	9	9	9	9	9	9	9	9	9	9
1501	9	9	9	9	9	9	9	9	9	9	9
1561	9	9	9	9	9	9	9	9	9	9	9
1621	9	9	9	9	9	9	9	9	9	9	9
1681	9	9	9	9	9	9	9	9	9	9	9
1741	9	9	9	9	9	9	9	9	9	9	9
1801	9	9	9	9	9	9	9	9	9	9	9


4

cm 	400	450	500	550	600	650	700	750	800	850	900
406	9	9	9	9	9	9	9	9	9	9	9
446	9	9	9	9	9	9	9	9	9	9	9
486	9	9	9	9	9	9	9	9	9	9	9
526	9	9	9	9	9	9	9	9	9	9	9
566	9	9	9	9	9	9	9	9	9	9	9
606	9	9	9	9	9	9	9	9	9	9	9
646	9	9	9	9	9	9	9	9	9	9	9
686	9	9	9	9	9	9	9	9	9	9	9
726	9	9	9	9	9	9	9	9	9	9	9
766	9	9	9	9	9	9	9	9	9	9	9
806	9	9	9	9	9	9	9	9	9	9	9
846	9	9	9	9	9	9	9	9	9	9	9
886	9	9	9	9	9	9	9	9	9	9	9
926	9	9	9	9	9	9	9	9	9	9	9
966	9	9	9	9	9	9	9	9	9	9	9
1006	9	9	9	9	9	9	9	9	9	9	9
1046	9	9	9	9	9	9	9	9	9	9	9
1086	9	9	9	9	9	9	9	9	9	9	9
1126	9	9	9	9	9	9	9	9	9	9	9
1166	9	9	9	9	9	9	9	9	9	9	9
1206	9	9	9	9	9	9	9	9	9	9	9

6 L

cm 	600	675	750	825	900	975	1050	1125	1200	1275	1350
406	9	9	9	9	9	9	9	9	9	9	9
446	9	9	9	9	9	9	9	9	9	9	9
486	9	9	9	9	9	9	9	9	9	9	9
526	9	9	9	9	9	9	9	9	9	9	9
566	9	9	9	9	9	9	9	9	9	9	9
606	9	9	9	9	9	9	9	9	9	9	9
646	9	9	9	9	9	9	9	9	9	9	9
686	9	9	9	9	9	9	9	9	9	9	9
726	9	9	9	9	9	9	9	9	9	9	9
766	9	9	9	9	9	9	9	9	9	9	9
806	9	9	9	9	9	9	9	9	9	9	9
846	9	9	9	9	9	9	9	9	9	9	9
886	9	9	9	9	9	9	9	9	9	9	9
926	9	9	9	9	9	9	9	9	9	9	9
966	9	9	9	9	9	9	9	9	9	9	9
1006	9	9	9	9	9	9	9	9	9	9	9
1046	9	9	9	9	9	9	9	9	9	9	9
1086	9	9	9	9	9	9	9	9	9	9	9
1126	9	9	9	9	9	9	9	9	9	9	9
1166	9	9	9	9	9	9	9	9	9	9	9
1206	9	9	9	9	9	9	9	9	9	9	9

6 P

cm 	400	450	500	550	600	650	700	750	800	850	900
601	9	9	9	9	9	9	9	9	9	9	9
661	9	9	9	9	9	9	9	9	9	9	9
721	9	9	9	9	9	9	9	9	9	9	9
781	9	9	9	9	9	9	9	9	9	9	9
841	9	9	9	9	9	9	9	9	9	9	9
901	9	9	9	9	9	9	9	9	9	9	9
961	9	9	9	9	9	9	9	9	9	9	9
1021	9	9	9	9	9	9	9	9	9	9	9
1081	9	9	9	9	9	9	9	9	9	9	9
1141	9	9	9	9	9	9	9	9	9	9	9
1201	9	9	9	9	9	9	9	9	9	9	9
1261	9	9	9	9	9	9	9	9	9	9	9
1321	9	9	9	9	9	9	9	9	9	9	9
1381	9	9	9	9	9	9	9	9	9	9	9
1441	9	9	9	9	9	9	9	9	9	9	9
1501	9	9	9	9	9	9	9	9	9	9	9
1561	9	9	9	9	9	9	9	9	9	9	9
1621	9	9	9	9	9	9	9	9	9	9	9
1681	9	9	9	9	9	9	9	9	9	9	9
1741	9	9	9	9	9	9	9	9	9	9	9
1801	9	9	9	9	9	9	9	9	9	9	9



Although the product is designed and intended for use as solar shading, it can also be used in the rain *.

* Resistance to rainwater can be compromised and therefore cannot be guaranteed in the event of especially adverse weather conditions such as heavy rain or rain accompanied by wind. The water drainage systems must always be properly maintained and kept free from obstructions. The formation of condensation on the fabric is a natural phenomenon not to be considered a defect.

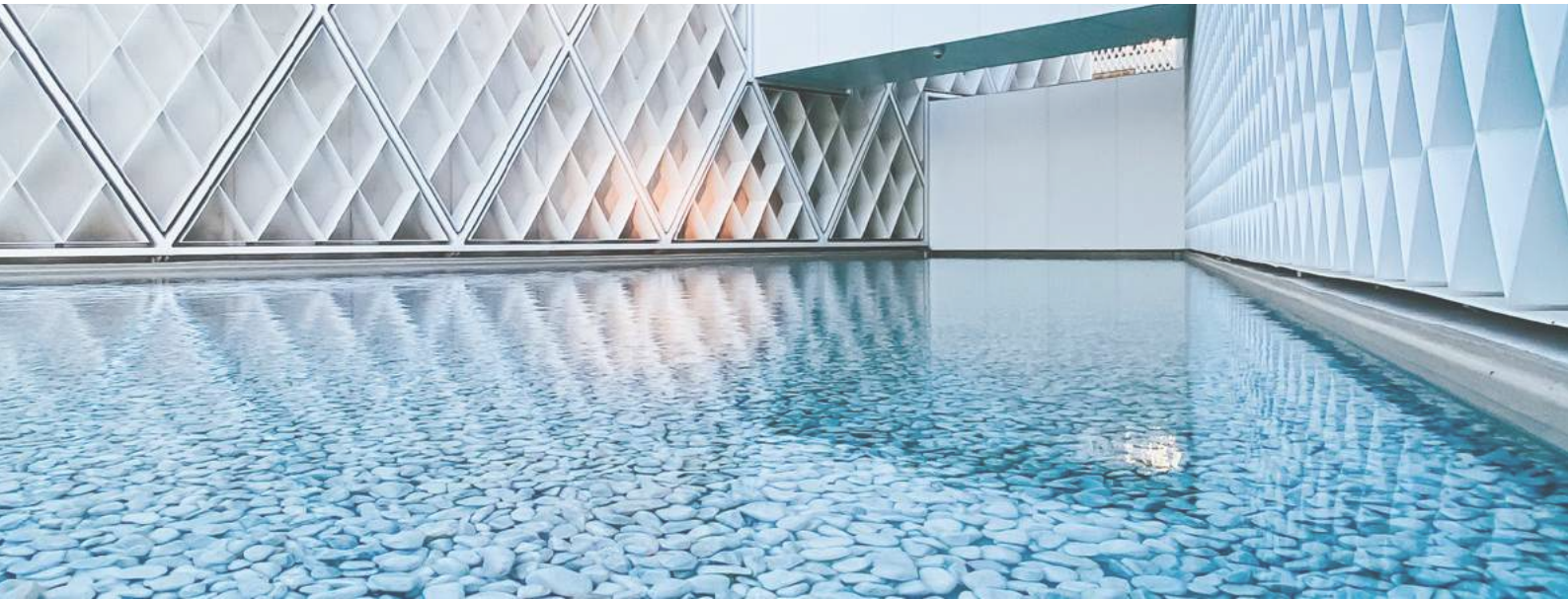


The KE painting process includes high quality standards, with an 8-stage pre-treatment that includes degreasing, deoxidation, and protective treatments before painting. Thanks to this last phase, components and profiles are further guaranteed against particularly severe environmental situations. At the end of the process the profiles and components are painted with polyester resin-based epoxy powders. Treated components are periodically tested in salt spray according to the ISO 9227 standard to confirm conformity and consistency of the process. The European product standard EN 13561: 2015 defines corrosion resistance classes of the metal parts that make up the product according to the table below. Tests performed on the painted components and profiles allow us to classify the product in the maximum class achievable according to EN 13561: 2015, C2 / 4 (48 h - internal components, 240 h - external components).

Equipped with the most modern process control systems including continuous monitoring in which the working parameters are recorded and corrected every 2 minutes, the new painting process guarantees the high quality characteristics of the product while minimizing the risk of environmental pollution. This is a choice born from the desire to always keep up with technology while guaranteeing operator safety and low environmental impact. Thanks to nanotechnologies, the implemented coating constitutes an excellent base for anchoring paints, ensuring excellent adhesion and resisting corrosion. The plant in which aluminum or galvanized steel products with a length of up to 7 meters can be treated, includes 7 treatment tanks, 1 double compartment drying oven, 1 polymerization oven and 1 purification plant for waste water treatment. The real focus of the plant, however, is the two powder coating booths, each with 4 stations for manual retouching. The booths allow greater production continuity, thanks to a drastic reduction in required stops for color changes.

CORROSION RESISTANCE

Classes	1	2	3	4
Internal components	24	48		
External components		48	96	240



When working with color, we know that our whole world is defined by light. And color is nothing more than a breakdown of light. Objects reflect back to our eyes only the color that defines it. This is why it is so important to recognize the close link between color and matter. For this project, there are three keywords that guide the research: Words, Places, Matters.

WORDS: Naming colors is important to make them familiar and easily recognizable.

PLACES: Places define colors. Recognizing different types of places is a starting point for defining and suggesting color combinations.

MATERIALS: Objects do not exist in isolation, but rather match the environment around them: analyzing the materials that make up the environment itself helps us to make decisions; to decide, for example, if the character of a place is false or if instead it is genuinely artistic.

COLOURS RAL



● Ral standard (without supplement)



There is increasing demand for high-performance buildings that have a very low energy consumption and use energy derived from renewable sources. In particular, the limitation of solar heat gain is one of the most important aspects of summer thermal comfort. Solar shading plays an essential role in this concept. The gtot value determines the ability of the solar shield to maintain, in an environment directly exposed to solar radiation, a more comfortable temperature than that which would occur with the presence of glass alone. The solar heat gains are directly proportional to the total transmittance of solar energy gtot, a value that depends on the glazing and external shielding. The European product standard EN 13561: 2015 and the EN 14501 standard identify 5 energy performance classes as shown in the table below.

Effect of GTOT on thermal comfort					
Gtot value	$\geq 0,50$	$\geq 0,35 \text{ e } < 0,50$	$\geq 0,15 \text{ e } < 0,35$	$\geq 0,10 \text{ e } < 0,15$	$< 0,10$
Class	0	1	2	3	4
	very mild effect	Mild effect	Moderate effect	good effect	very good effect

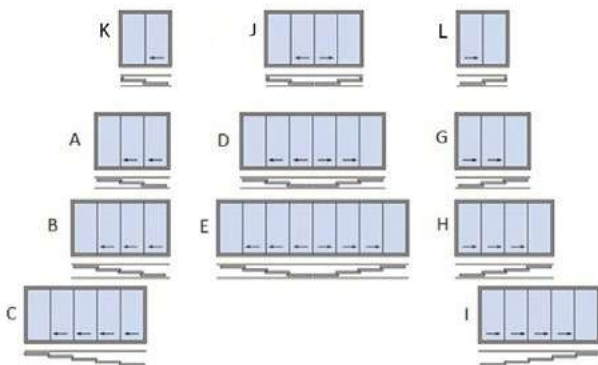
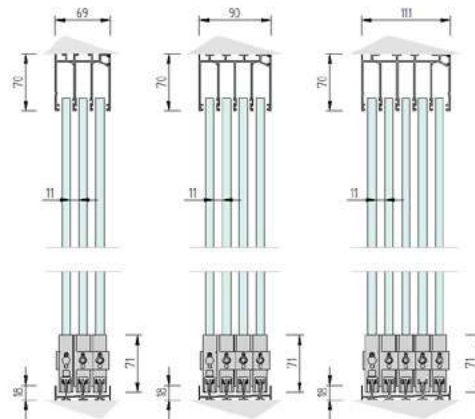
Each KE product has a Gtot value according to the shading fabric / profiles used. For details, refer to the information provided with the technical data sheet of the fabric and the CE label.

OPTIONAL_LINE GLASS



Sliding windows with frameless doors. Lower track only 18 mm high. Easy installation with left or right hand opening. Side or central closure. Packaging with aligned windows. Height adjustment up to 8 mm for each single door. Removable for easy cleaning. Closure with self-locking and / or lock. Waterproofing is not guaranteed during heavy rain or rain with wind.

Technical Details





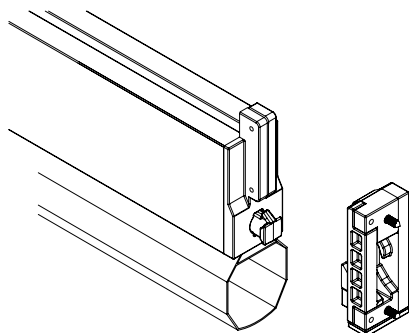
Vertika is a vertical closure that provides protection from sun and rain.
It can be equipped with WIND BLOCK, a locking tensioning system for the fabric.
With Vertika you can use blackout and filtering fabrics to better manage solar radiation.

- AVAILABLE:

110 GPR
110 GPZ

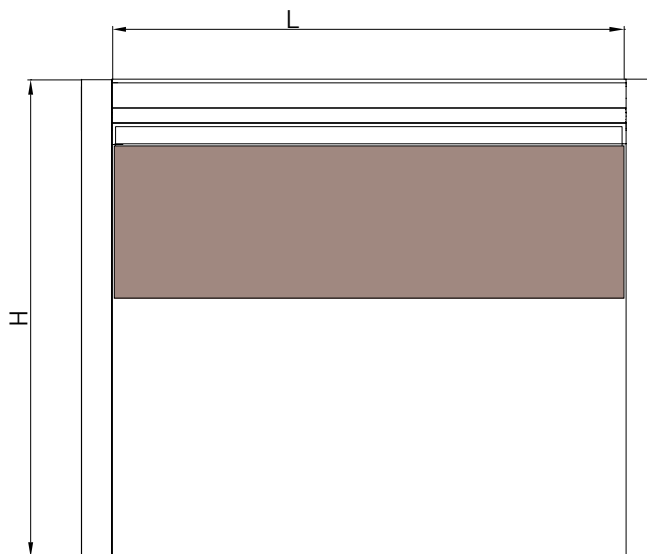
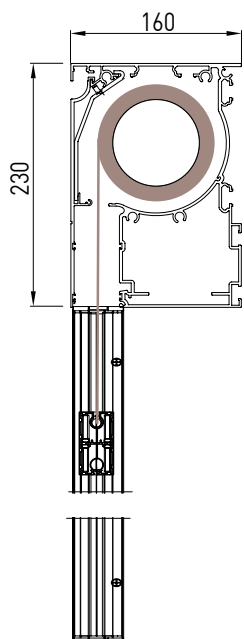


Technical Details

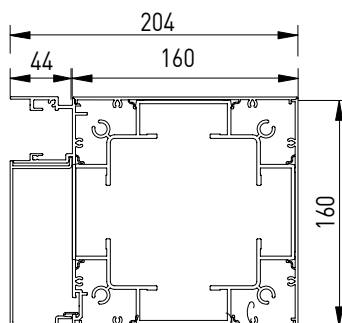
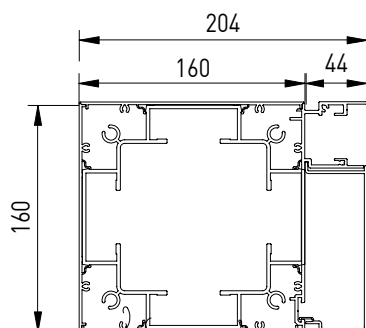


WIND BLOCK: Front bar Interlock device to be used on 100 and 130 Screeny GPZ guide, GPZ I and Gpz Unica. In wind, front bar stays locked in the low position and fabric is steadily tightened when the awning is opened completely.

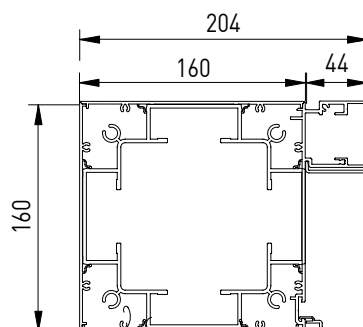
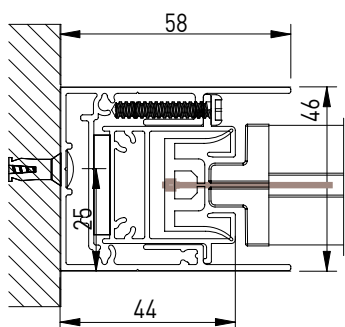
VERTIKA_PRIME GPZ I

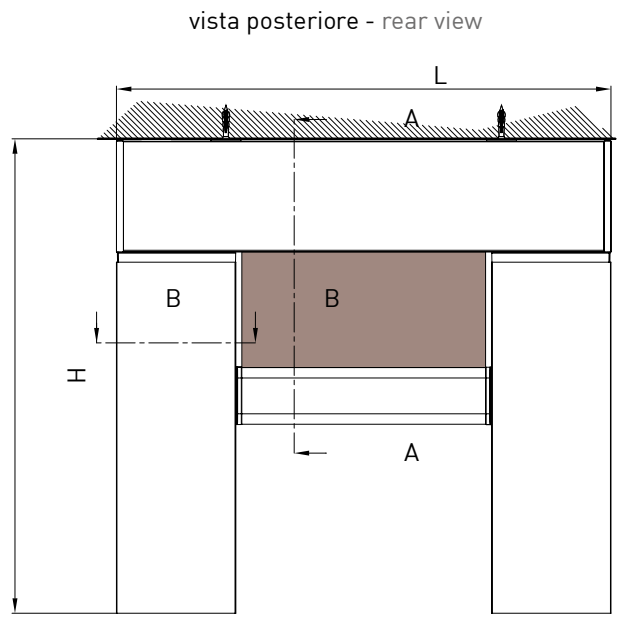
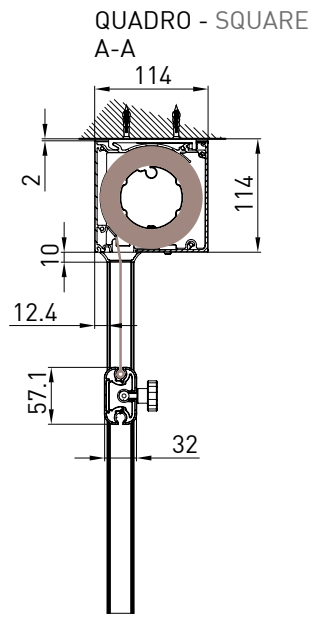
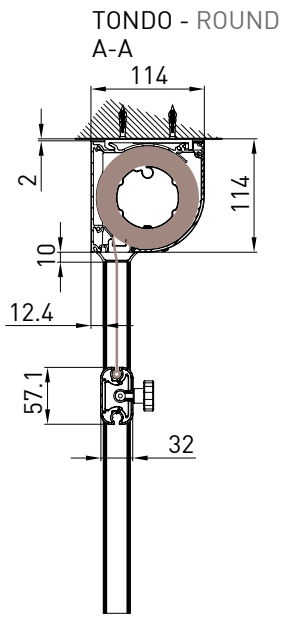


Guida su colonne

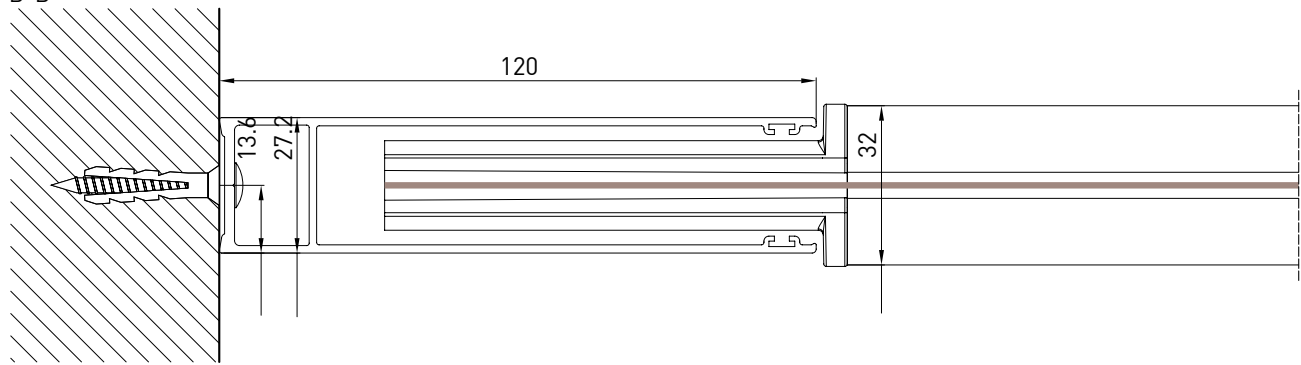


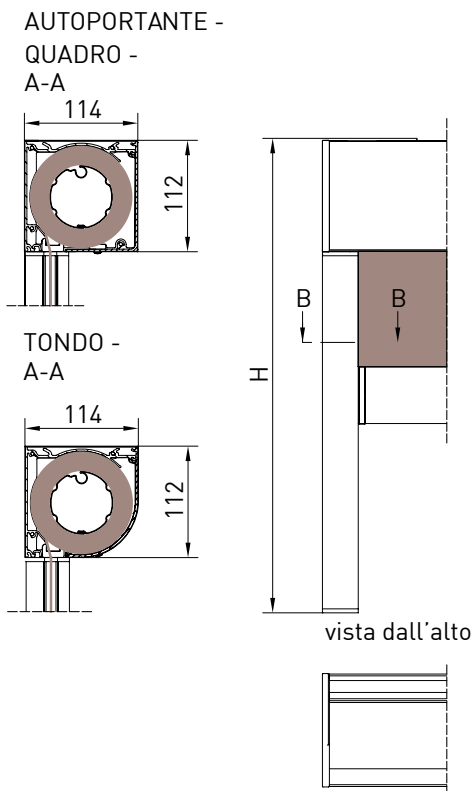
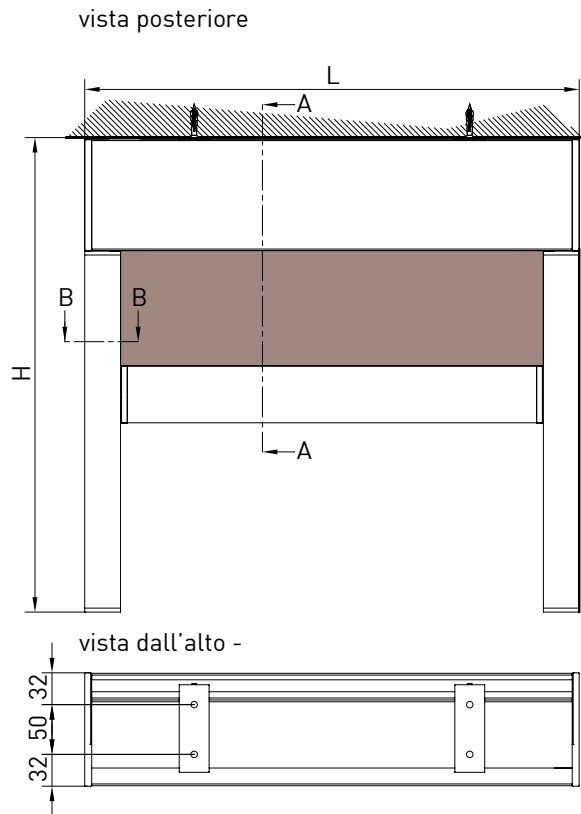
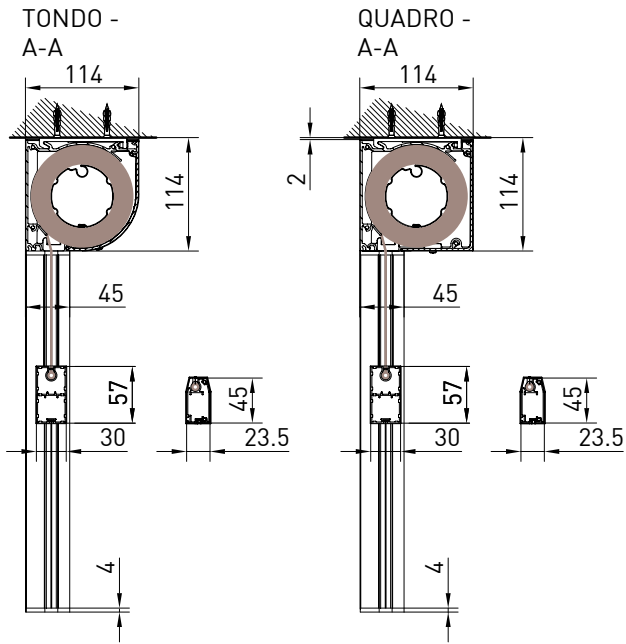
Guida su colonne/parete





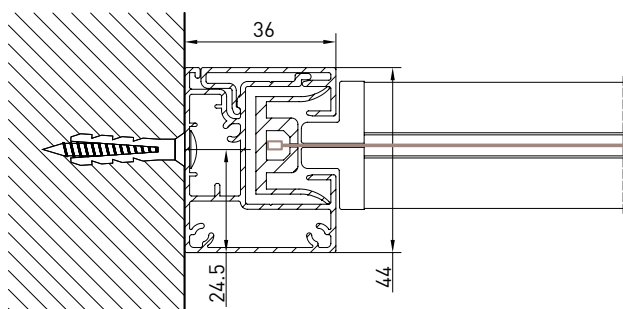
Guida a nicchia
B-B





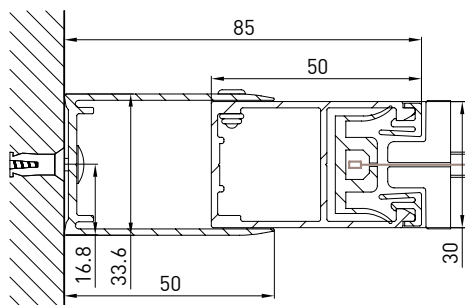
VERTIKA_110 GPZ

Guida a nicchia
B-B

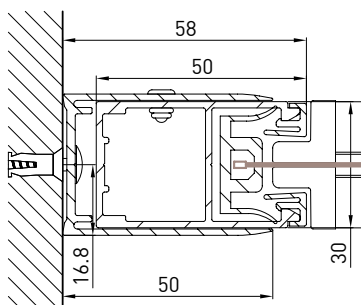


VERSIONE GPZ C

Guida a nicchia
B-B

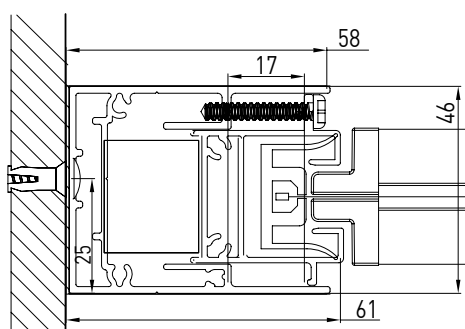


Guida a nicchia
B-B

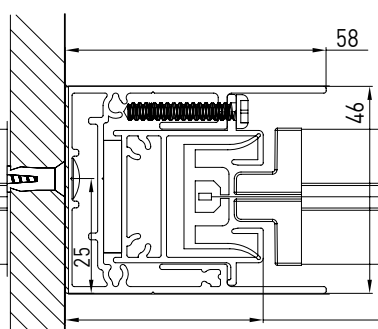


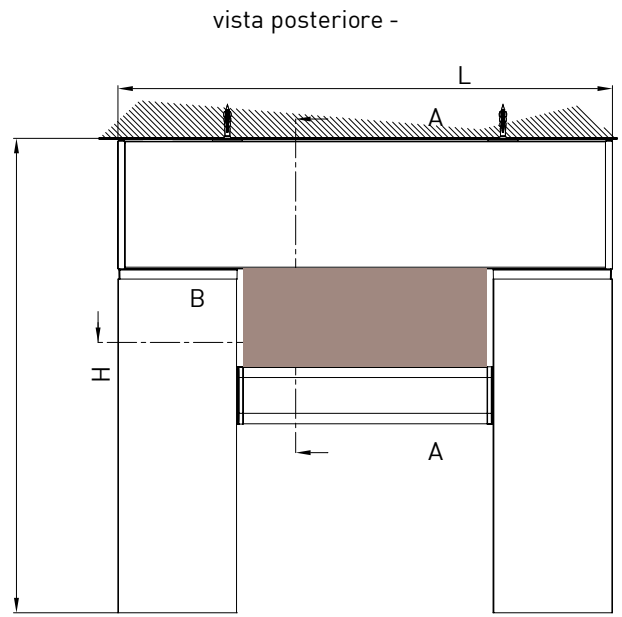
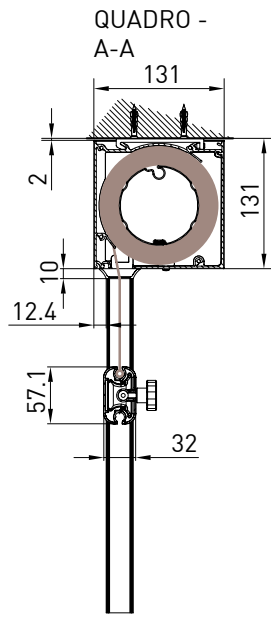
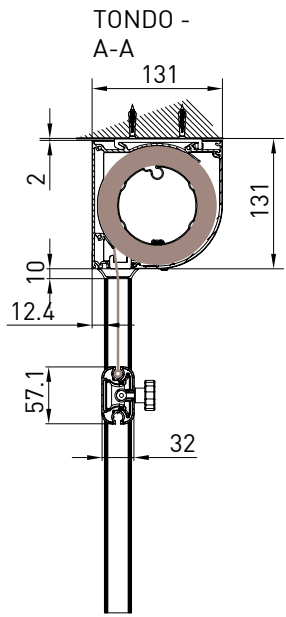
VERSIONE GPZ I

Guida a nicchia
B-B

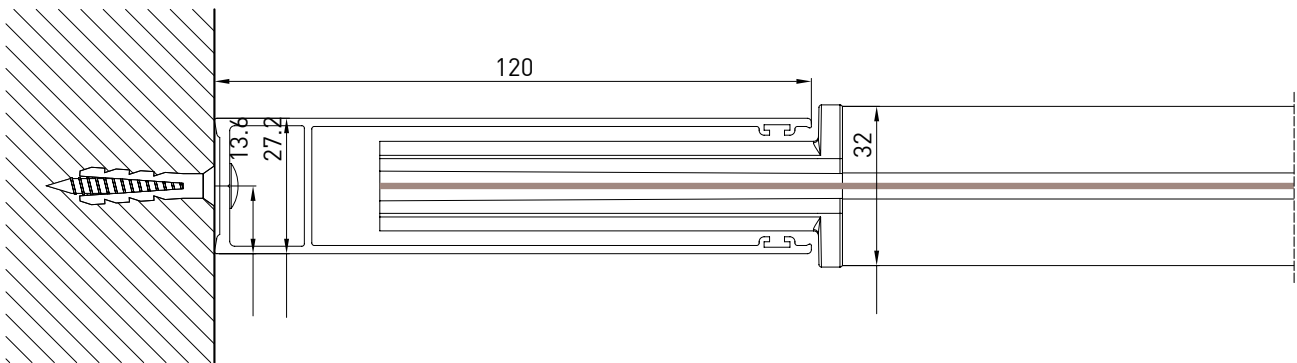


Guida a nicchia
B-B



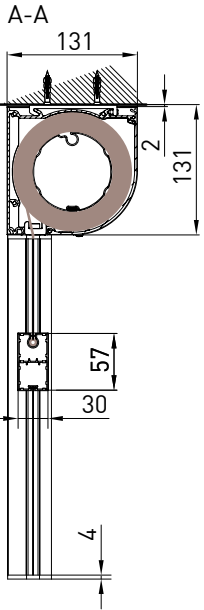


Guida a nicchia
B-B

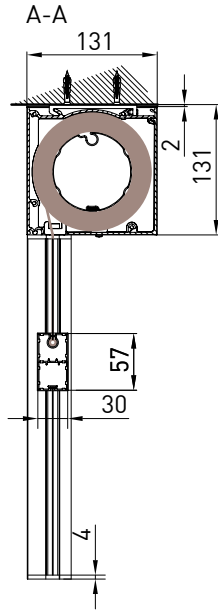


VERTIKA_130 GPZ

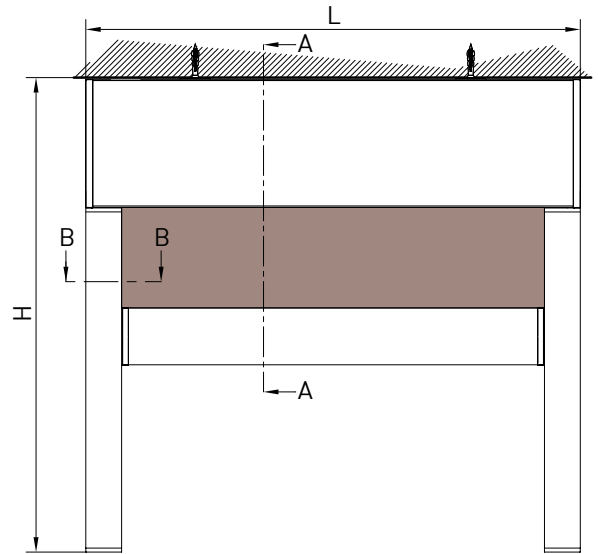
TONDO - ROUND



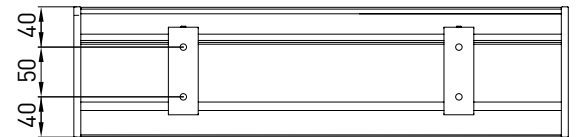
QUADRO - SQUARE



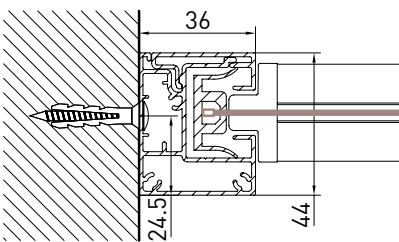
vista posteriore - rear view



vista dall'alto - top view

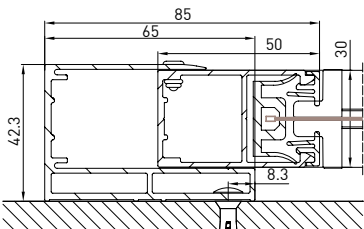


Guida a nicchia
B-B

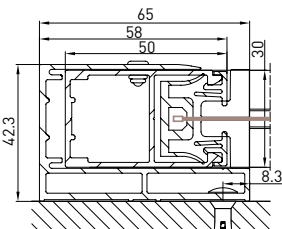


VERSIONE GPZ C

Guida a parete (GCP)
B-B

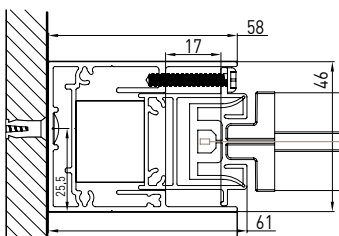


Guida a parete (GCP)
B-B

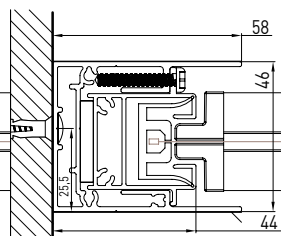


VERSIONE GPZ I

Guida a nicchia
B-B



Guida a nicchia
B-B





The doors have been designed to provide protection from water and wind. They are made from extruded aluminum alloy profiles (EN-AW 6060-T6) and 4 + 4 pvd 0.76 safety and shatterproof laminated glass in accordance with UNI 7697 2014. Doors are available in either one or two door versions.

The interior of the structure can be enhanced with decorative curtains. That extra romantic touch which will surely be appreciated by anyone looking for a little privacy or who want "a room all to themselves".

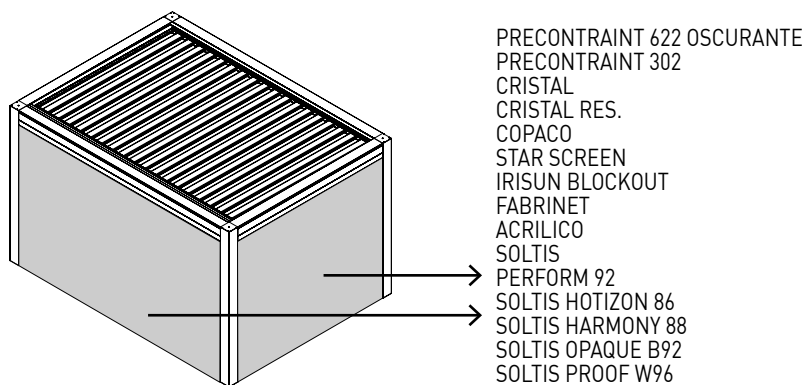
FABRICS



KE
ENJOY THE OUTDOORS

Thermal comfort blends perfectly with beautiful style thanks to the more than 500 high performance fabrics available. A wide variety of colors, styles and solar shading factors allow for a system that meets your specific needs. All fabrics are CE Certified according to the EN 13561 and EN 14501 technical standards.

N.B.
See the Fabric Guide for further fabric specifications.



Fabrics

- PRECONTRAIT 622 OSCURANTE
- PRECONTRAIT 302
- CRISTAL
- CRISTAL RES.
- COPACO
- STAR SCREEN
- IRISUN BLOCKOUT
- FABRINET
- ACRILICO
- SOLTIS
- PERFORM 92
- SOLTIS HOTIZON 86
- SOLTIS HARMONY 88
- SOLTIS OPAQUE B92
- SOLTIS PROOF W96

DICHIARAZIONE DI PRESTAZIONE

00001-CPR-2021-02-12

Ai sensi dell'Allegato III del Regolamento (UE) n.305/2011 del 9 marzo 2011
modificato dal Regolamento Delegato (UE) n.574/2014 del 21 febbraio 2014

Codice di identificazione del prodotto: KEDRY SKYLIFE

Uso previsto del prodotto: Impiego esterno in edifici e altre costruzioni

Nome e indirizzo del fabbricante: KE PROTEZIONI SOLARI S.r.l., Via Calnova 160/a, Noventa di Piave (VE) – Italia

Sistema di valutazione e verifica della costanza di prestazione: 4

Configurazioni standard del prodotto:

Configurazione	Larghezza massima L	Profondità massima P
Kedry Skylife 1L	450 cm	611 cm
Kedry Skylife 2L	884 cm	611 cm
Kedry Skylife 2P	450 cm	1206 cm
Kedry Skylife 3L	1318 cm	611 cm
Kedry Skylife 3P	450 cm	1801 cm
Kedry Skylife 4	884 cm	1206 cm
Kedry Skylife 6L	1318 cm	1206 cm
Kedry Skylife 6P	884 cm	1801 cm
Kedry Skylife 2SC	600 cm	511 cm

Classificazione secondo Prospetto 1 - §4.1 EN 13561:2015:

Classi di resistenza al vento	0	1	2	3	4	5	6
Pressione nominale del vento p_N (N/m ²)	<40	40	70	110	170	270	400
Pressione di sicurezza del vento p_S (N/m ²)	<48	48	84	132	204	324	480
Velocità massima del vento [km/h]	<25	25	35	45	55	70	90

Prestazioni dichiarate:

Caratteristiche essenziali	Prestazioni	Specifica tecnica armonizzata
Resistenza ai carichi del vento	Classe 6	EN 13561:2015
Trasmittanza totale di energia solare g_{tot}	0,10 - Classe 3	EN 14500:2008

La fornitura dei prodotti sopra indicati è conforme all'insieme delle prestazioni dichiarate.

Si rilascia la presente dichiarazione di prestazione in conformità al regolamento (UE) n.305/2011 sotto la responsabilità esclusiva del fabbricante sopra identificato.



EN 13561:2015

Noventa di Piave, 12 Febbraio 2021

KE PROTEZIONI SOLARI S.r.l.
Sifone Mazzon
Amministratore delegato



Lighting plays a very important role in allowing our pergolas to be used at any time of day. KE uses LED lights, perfectly integrated into the profiles of the structures. LED technology allows for low energy consumption, multiple applications and changes to light color and intensity using a simple remote control.

N.B. See the lighting guide for the other specifications.



DATI_TECNICI:

STRIP LED	
Watt	10W
volt	24V
flow	830lm
Color temperature	3400 K
LED/m	98 led/m



EN ISO 9001

KE has adopted a Quality Management System compliant with EN ISO 9001 requirements in order to maintain and increase quality and meet the highest customer expectations. This continuous improvement, through the control of all processes and careful evaluation of risks and opportunities, engages the entire organization in the development of systems to ensure the safety and reliability of the product and in the search for innovative solutions and technologies.

OHSAS 18001

KE has activated a Safety Management System as an integral part of its work organization, committing itself to organizing the entire structure in order to pursue the objectives of continuous improvement in terms of safety and health protection. Training, knowledge and compliance with current legislation on health and safety at work, cooperation and collaboration and preventive activities are actively pursued in order to minimize the possibility of non-compliance.

EN ISO 14001

KE is ISO 14001 certified for environmental management and strives to be an example of respect for environmental resources and for the continuous improvement of its environmental management system. It is committed to continuous improvement and pollution prevention in compliance with applicable laws, regulations and standards; systematically detects any environmental impact of manufacturing processes, promotes the culture of recovery and recycling in the company and in the related production chain.

CE MARK _ EN 13561

The CE marking of outdoor awnings is a signal to the Consumer that the product can be sold freely in the EU single market, as it complies with Community provisions which recognize safety as the priority of every product that has this agreed upon reference standard. Verification of wind resistance capacity and the clear indication of the ability of the awning to contribute to the energy savings of the building (Gtot), are some of the commitments that the manufacturer makes to a product that has earned the CE marking. The name of the manufacturer, the reference standard (in our case EN 13561) accompany a product that is properly adapted to European indications.

CE MARK _ EN 1090-1

KE extended the CE marking in 2015 to stationary awnings, which are among the aluminum structural components covered by the international standard EN 1090-1. This marking reflects our use of rigorous structural design and manufacturing with qualified processes, adequate industrial resources and qualified personnel.

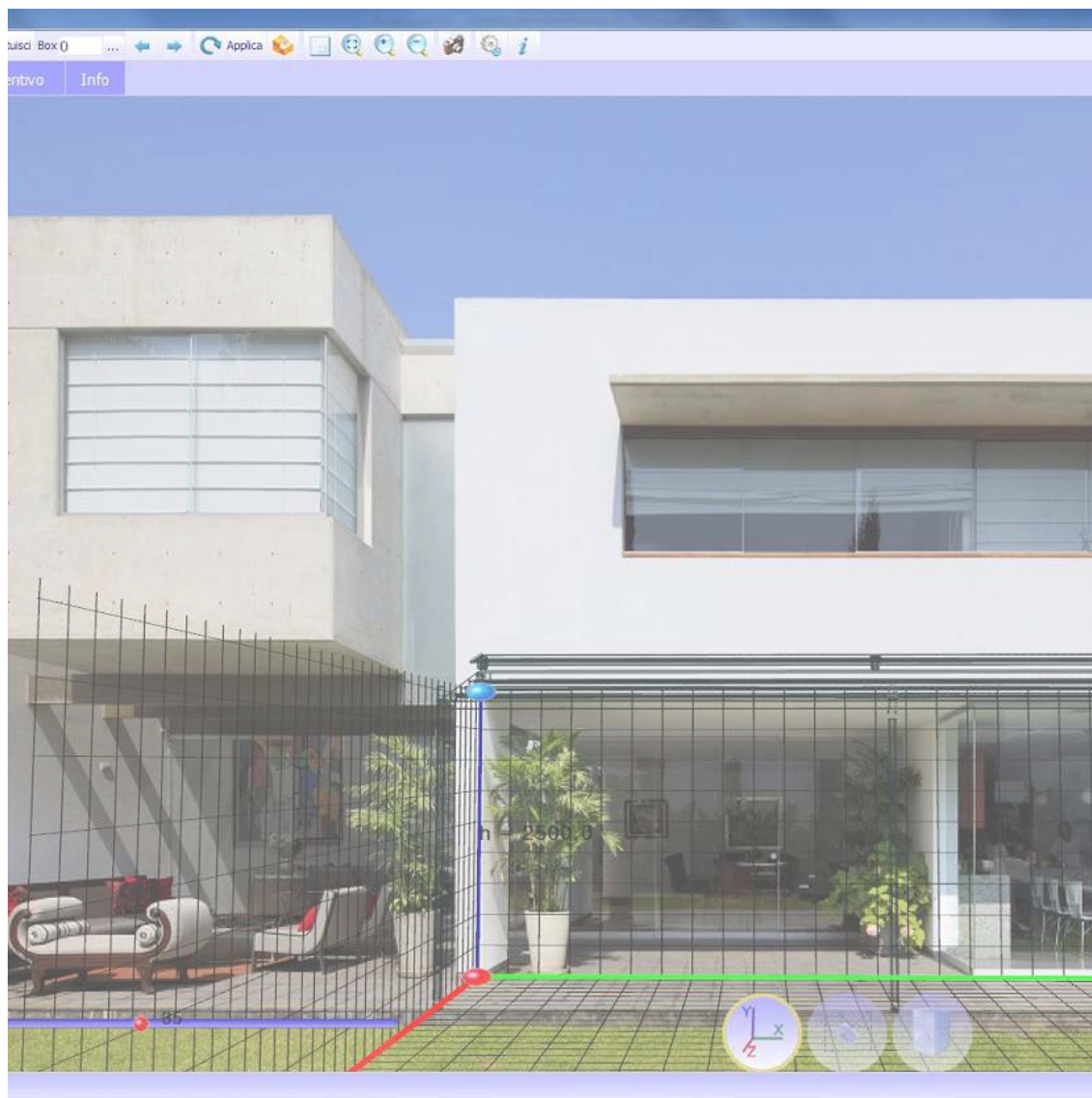
VIRTUAL SHOW ROOM



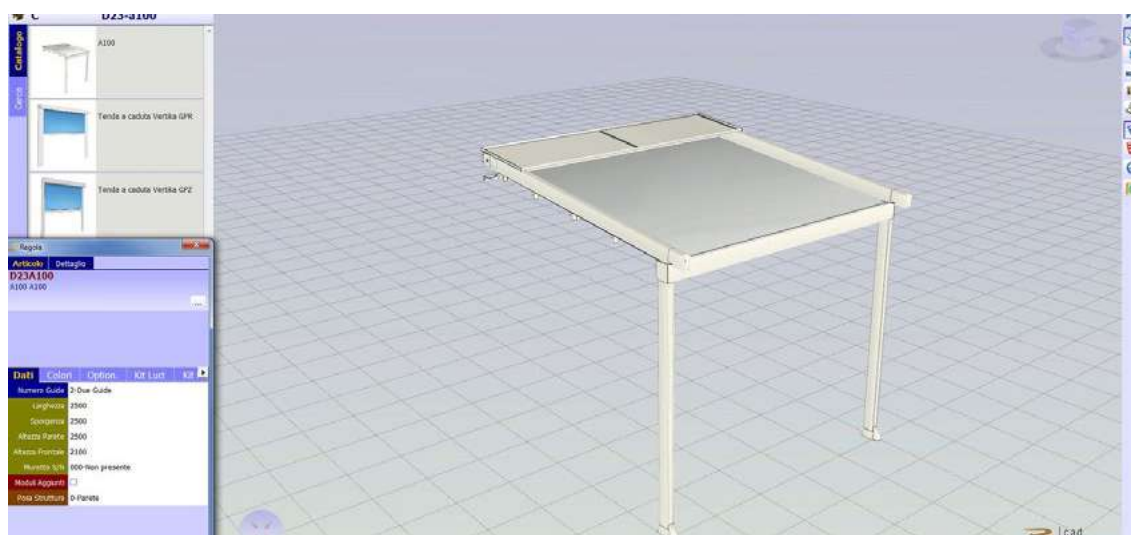
KE has adapted to the new ways of using the product by working on a digital showroom that is able to give the user a high-impact visual experience, a functional space where they can move around freely, receive detailed information on products with a simple click, and access content of interest quickly and intuitively. There is viewable content such as augmented reality and downloadable files such as data sheets, brochures and 3D models.



KE
ENJOY THE OUTDOORS



The KE B2B order system is a simple and intuitive service for placing orders conveniently online. An attractive graphic design, numerous functionalities and an easy and intuitive use mode that allows to access in real time to all the information related to the history of the orders and to the processing of the current ones. With the Cad Lite 3D Configurator you can configure Gennius and Bioclimatica models thanks to a constantly updated online catalogue. Thanks to an easy-to-use interface, it also allows you to formulate a complete quote with minimal error.





Home > Ambienti

Ambienti

La nostra missione è creare nuovi spazi outdoor da vivere in totale armonia. Grazie alle nostre coperture solari e alle strutture per esterni personalizzate, potrai arredare con stile il tuo terrazzo, giardino, attico, ma anche modulare... [Leggi di più](#)



BIM technology improves the working method of designers and is now the main source of information for the realisation of a project. With BIM the model is generated in a "parametric 3D" from which a series of information such as 2D views, elevations, sections but also metric calculations and much more can be automatically derived. On the KE website you can find the BIM gallery of the main KE models, the certifications and all the useful technical documentation for each product: www.keoutdoordesign.com

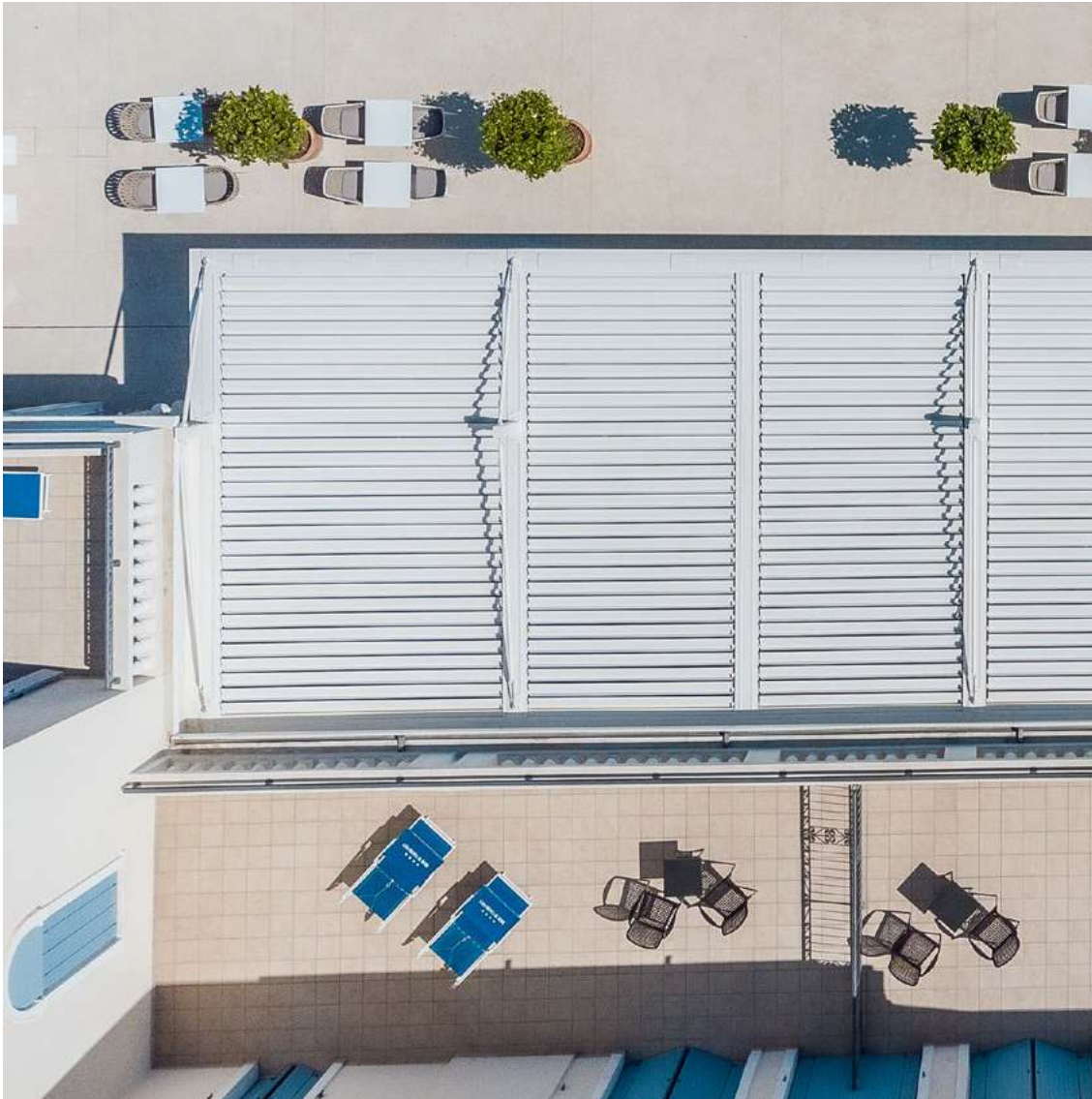
Area Clienti IT-IT

Referenze Area Media

- Brochure e Cataloghi
- BIM & 3D Models
- Blog
- News
- Video

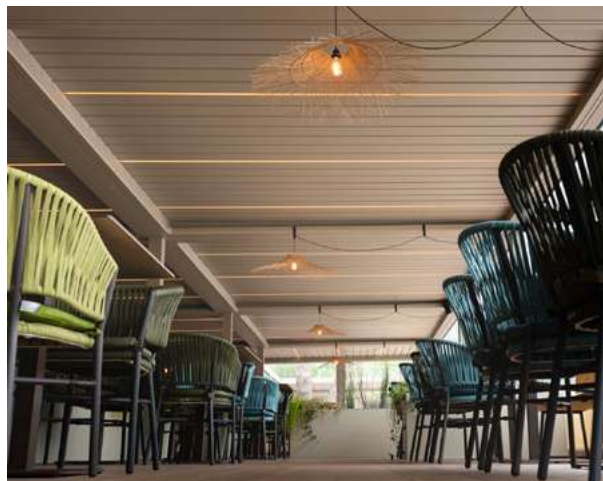
POWERED BY SYNCRONIA





A GROUP, A VISION, A GROUP IN EVOLUTION

Since 1987, KE has been designing and manufacturing arm awnings, cassette awnings, drop awnings, canopies, shelters and is specialised in shading structures that enhance the liveability of outdoor spaces, up to the redesign and restyling of urban furniture. Both for the variety of the range and the depth of the configurations, KE is a manufacturing reality able to satisfy the most demanding requests the most demanding requirements of designers, architects, window and door manufacturers, upholsterers and outdoor professionals.



Improving the experience

With KE's professionalism and experience you can rely on quality products designed to enhance your customers' outdoor experience. With KE it will be easier to live the outdoor space in perfect harmony with the surrounding environment, widening the viewpoints and ensuring maximum comfort in all seasons. all seasons.